

General

Provide MYSON EB31 EUROPEAN TRADITION electric towel warmer including accessories as scheduled. European Tradition towel warmers are made of 1-1/4" brass tube and fittings in a variety of finishes. The EB31 electric towel warmer is ETL approved.

Each EB31 towel warmer is constructed with integral 3-1/4" diameter wall mounting flanges that are welded onto the back. The towel warmers are equipped with a PTC smart thermo control element certified ISO 9001 and a back lit on/off rocker switch. Each unit is filled to a precise level with a glycol based heat transfer fluid for optimum convective flow, providing a constant surface temperature. Every unit is factory tested to insure the finest quality product with design temperature output.

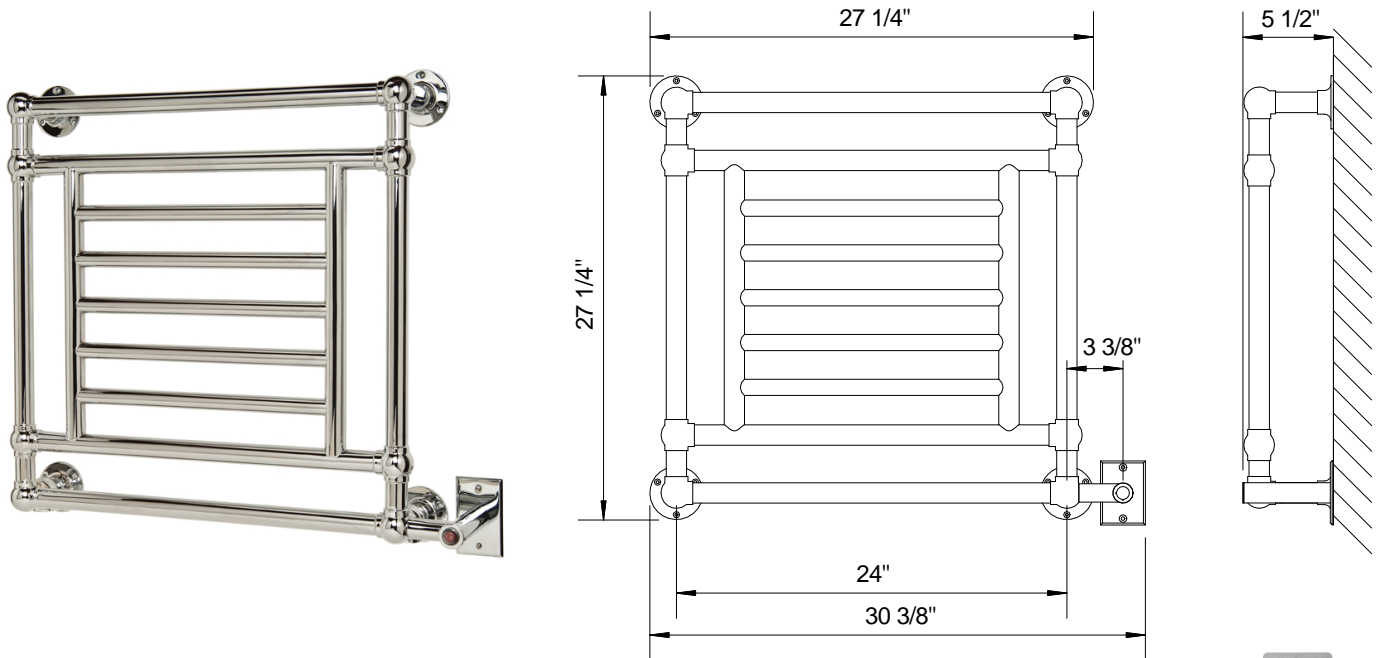
Standard Connection:
single gang box

Electrical Specifications:
120 Vac 60 Hz 200 Watts

Weight:
55 lbs.

Available Finishes:

Polished Chrome, Polished Nickel, Satin Nickel, Regal Brass, Oil-Rubbed Bronze, White



Warranty:
MYSON European Tradition Towel Warmers are covered by a 10 year warranty.

An optional **ST01C** programmable timer is recommended and available from **MYSON**.



Quality certificates



PROJECT NAME:
ARCHITECT:
ENGINEER:
SUBMITTED DATE:

APPROVED DATE:

APPROVED