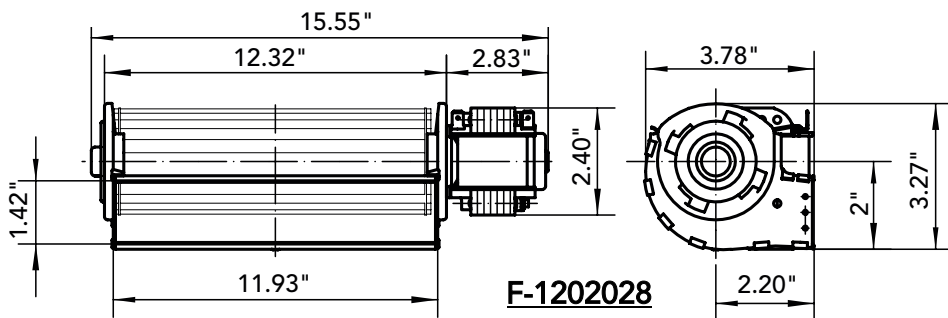
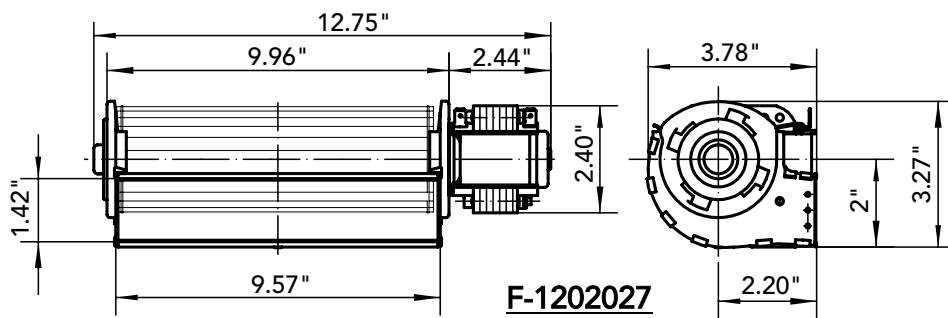
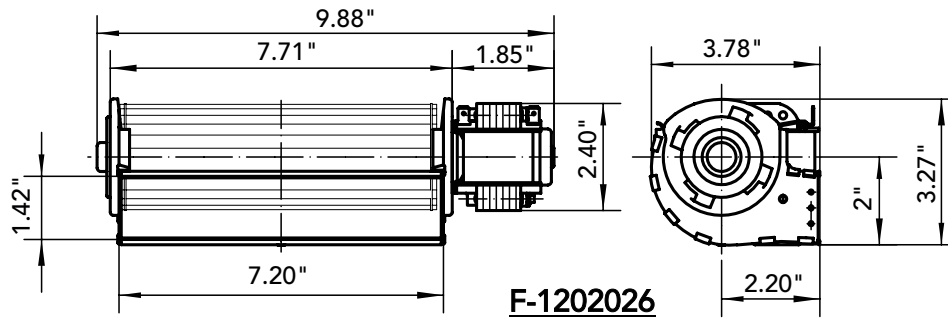


Whispa III

The following information is for use with Myson Whispa III, Hi-Line and Lo-Line fan convectors

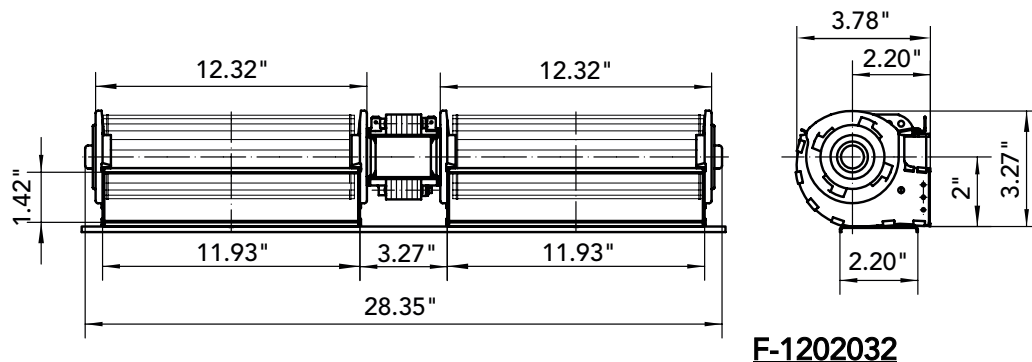
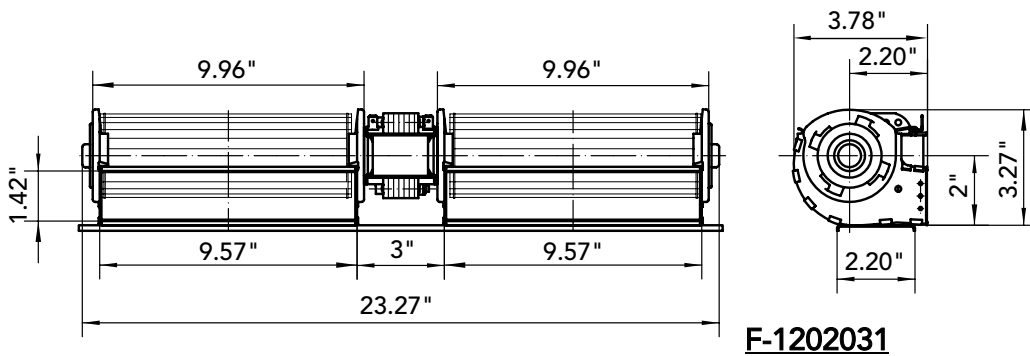
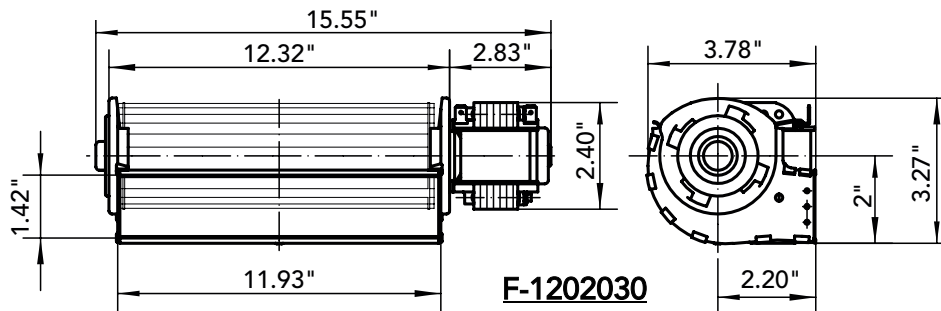
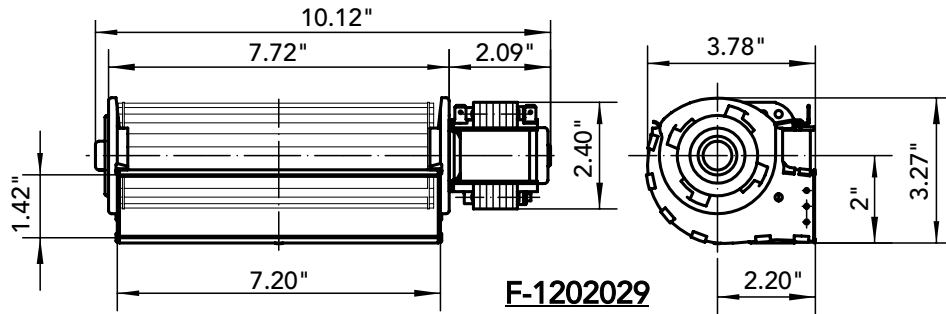
FAN MOTOR ASSEMBLY PART NUMBER REFERENCE		
Myson Part No	OEM Part Number	Fits Myson Model
F-1202026	QLZ06/1800A424-2524LH-126	WHIII 5000 / 5000WM / 5000RCU
F-1202027	QLZ06/2400A84-3025LH-174	WHIII 7000 / 5000FM
F-1202028	QLZ06/3000A102-3030LH-192apo	WHIII 9000 / 9000WM / 9000RCU
F-1202029	QLZ06/0018A410-2524LH-119 uo	LLHC6-4RC / HLHC7-4RC
F-1202030	QLZ06/0030A97-3030LH-189apt	LLHC9-6RC / HLHC10-6RC
F-1202031	QLZ06/2424A17-3038LH-64ass	LLHC14-10RC / HLHC15-10RC / WHIII 12000RCU
F-1202032	QLZ063030A7-3045LH-141ux	LLHC19-15RC / HLHC20-14RC

NOTES: 1. All dimensions are nominal. 2. **WHE50** fan/motor assembly is not replaceable.



Lo-Line / Hi-Line

The following fan motor assemblies are for use in Myson Hi-Line and Lo-Line digital fan convectors only.
These assemblies are not compatible with older analog model fan convectors.

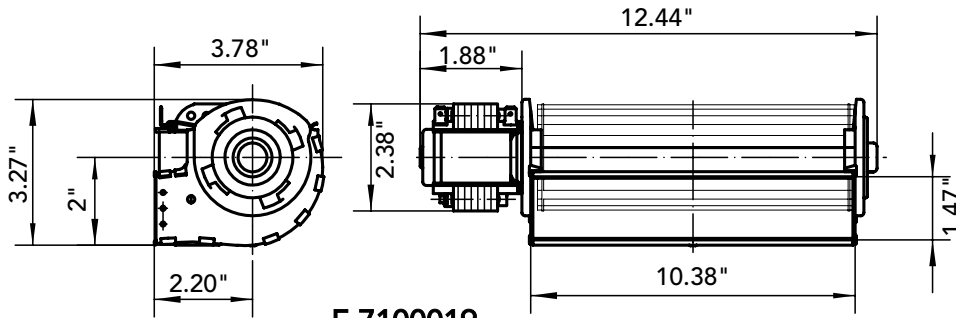


Whispa II, SL and PK/WH

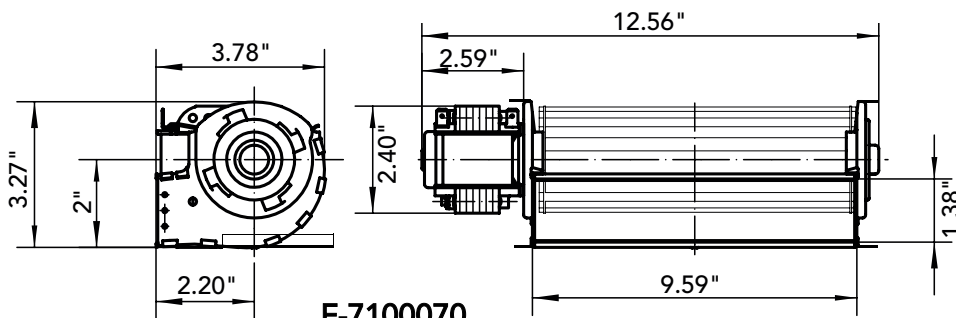
The following information is for use with Myson Whispa II, SL, and older PK/WH models.

FAN MOTOR ASSEMBLY PART NUMBER REFERENCE		
Myson Part No	OEM Part Number	Fits Myson Model
F-7100017	1202005 (WFM113-01)	VERTICAL II, SL16, Slim-Line FITS BOTH DIGITAL AND ANALOG UNITS
F-7100019	1202006 (WXLN2400-214) 1202012 (BR2400062200) 1202013 (WXLN2400-205)	PK50, PK90, WH50 FITS BOTH KICKSPACE AND WALL UNITS
F-7100070	1202024 (HR240008G200, WXLN2400-222)	WHII 5000 / 5000WM / 5000FM
F-7100071	1202025 (HR300014G200, WXLN3000-223)	WHII 9000 / 9000WM

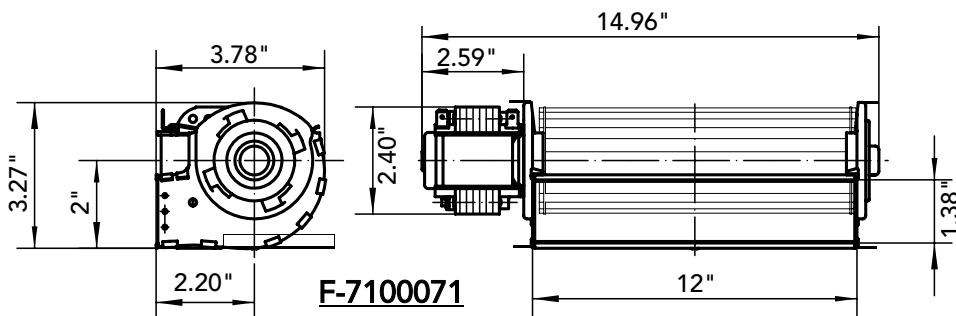
NOTE: All dimensions are nominal.



F-7100019



F-7100070

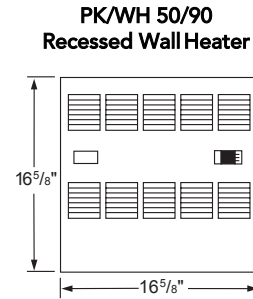
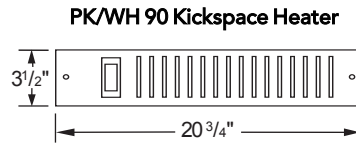
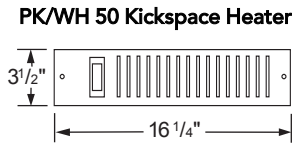


F-7100071

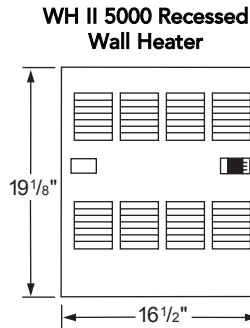
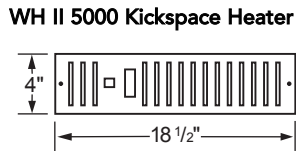
Whispa III, II, and PK/WH Identification by grill size

The following information is for use with Myson Whispa III, II, and older PK/WH models.

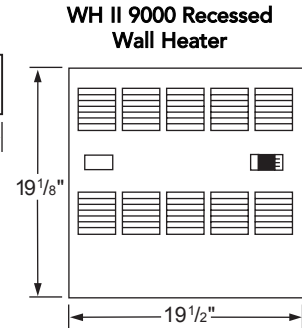
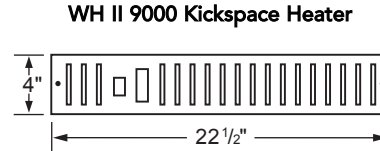
NOTE: WHII and WHIII Floor (FM) units have identical grilles. Fan/motor part numbers and/or unit model numbers are required for identification.



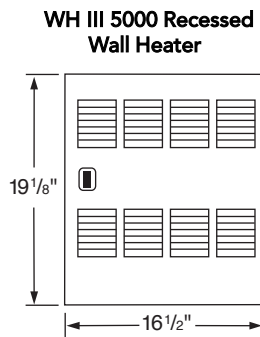
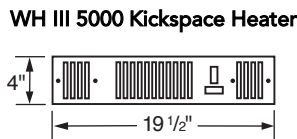
F-7100019



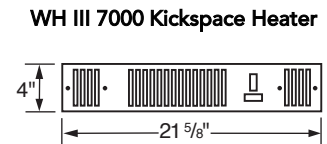
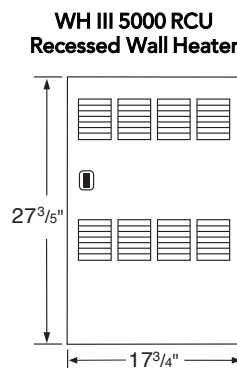
F-7100070



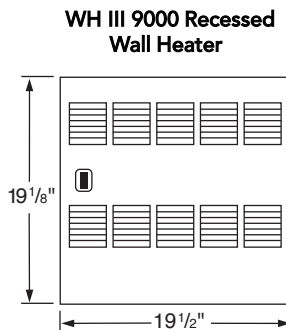
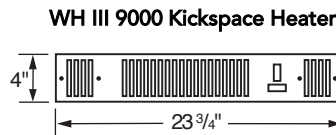
F-7100071



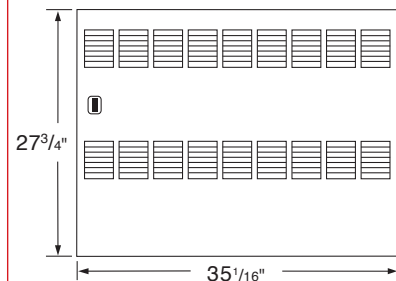
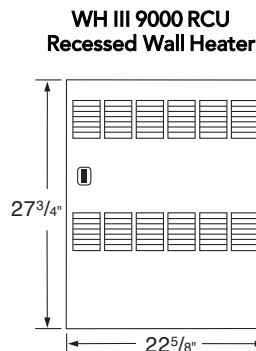
F-1202026



F-1202027



F-1202028



F-1202031