

General

Provide MYSON T6 IVC steel panel radiators in models and sizes including accessories as scheduled. T6 IVC RADIATORS are made of cold-rolled sheet steel, and in accordance with EN 442-1, with a stylish and robust fluting, with ribs at 1⁹/₁₆ inch intervals.

Each T6 IVC CENTER CONNECT RADIATOR is equipped with wall mounting lugs that are welded onto the back. The radiators are equipped with a removable top grille and two removable closed side panels. Each radiator is supplied with mounting brackets, a blind plug, drain plug, and a pivoting special vent plug. A pre-installed thermostatic valve insert is included with each radiator.

The T6 Series radiators are an advanced design giving high efficiency characteristics. The high outputs per unit surface area for the radiator models have been achieved by ensuring excellent contact between the convector plates and both the water channels and dividing metal of the radiator panels. (figure 1). The convector surface is spot-welded to the metal channels, but also firmly locates into grooves on the water channels, thus ensuring high heat transfer rates. In addition, the internal T configuration supply distribution insures an efficient top to bottom water flow for rapid demand response. (figure 2)

Standard Connections:

- 4 x internal thread G 1/2" BSP side 4 corners
- 2 x external thread G 3/4" bottom center

Maximum positive operating pressure: 145 psi

Maximum operating temperature: 230° F

figure 1

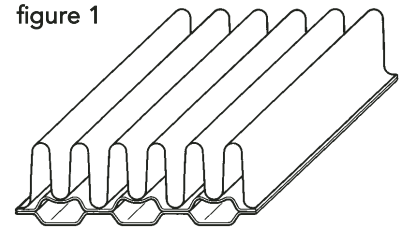


figure 2

T6 IVC Depth: 4¹/₈ inches

double panel & two rows of convector plates plus side panels & top grille

Standard Heights:

12, 20, & 24 inches (Nominal)

Standard Lengths:

16 to 79 inches (Nominal)

- Additional sizes and models are available as special order

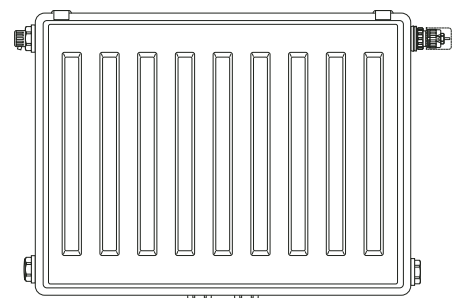
Finishes:

1. **Undercoat:** electrophoretic, using water-soluble paints, conforming to DIN 55900 part 1, baked at 374° F;
2. **Finish coat:** electrostatic powder coating, conforming to DIN 55900 part 2. (On request, and at a supplementary charge, a range of RAL colors can be offered. RAL 9016 white is standard.) This coat is baked at a temperature of 410° F.



Warranty:

MYSON radiators are covered by a 10 year warranty.



A variety of adapters, valves, and TRV actuators is available and recommended from MYSON. For specific applications see our valve literature. Pipe covers and escutcheons are available.

Quality certificates

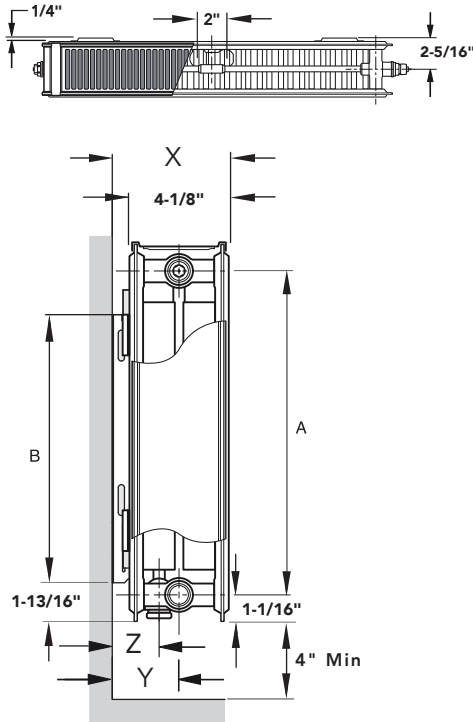


PROJECT NAME:
 ARCHITECT:
 ENGINEER:
 SUBMITTED DATE:

APPROVED DATE:

APPROVED

Type 22 model



T6 22 MOUNTING DIMENSIONS						
Mounting Bracket	Dimension (in)			Nominal Height (in)	A (in)	B (in)
	X	Y	Z			
KOM (BH) Short Side*	5 ¹ / ₁₆	2 ¹⁵ / ₁₆	2 ³ / ₁₆	11 ¹³ / ₁₆	9 ¹¹ / ₁₆	6
				15 ³ / ₄	13 ⁵ / ₈	9 ¹⁵ / ₁₆
KOM (BH) Long Side*	5 ⁷ / ₁₆	3 ³ / ₈	2 ⁹ / ₁₆	19 ¹¹ / ₁₆	17 ⁹ / ₁₆	13 ⁷ / ₈
SIGARTH (EZ)	5 ¹ / ₂	3 ³ / ₈	2 ⁵ / ₈	23 ⁵ / ₈	21 ¹ / ₂	17 ¹³ / ₁₆

* From wall to radiator

All Dimensions are nominal

T6 22

For bottom center connections use dimension Z from wall. When using bottom center connections Supply and Return connections are 2" CC at radiator center.

Specifications per Linear Foot						
Order Code	Nominal Height (inches)	Btuh/ft at 180°F AWT**	Btuh/ft at 160°F AWT**	Btuh/ft at 140°F AWT**	Weight (lbs/ft)	Water Content (gals/ft)
T622-3-XX	11 ¹³ / ₁₆	1468	1130	539	14.2	0.314
T622-4-XX	15 ³ / ₄	1845	1421	1034	18.8	0.402
T622-5-XX	19 ¹¹ / ₁₆	2142	1650	1200	21.3	0.491
T622-6-XX	23 ⁵ / ₈	2444	1882	1368	23.9	0.572

** Outputs are based on a delta T of 20°F and EAT of 68°F.

Order Code	Nominal Length (mm - inches)	Output* Btuh @ 180°F AWT	Output* Btuh @ 160°F AWT	Output* Btuh @ 140°F AWT	Weight (lbs)	Water Content (gals)	
Height 300mm - 11 ¹³ / ₁₆ in	T622-3-04	400 - 15 ³ / ₄	1893	1457	1060	20	0.41
	T622-3-06	600 - 23 ⁵ / ₈	2890	2225	1618	28	0.62
	T622-3-08	800 - 31 ¹ / ₂	3645	2806	2036	36	0.82
	T622-3-92	920 - 36 ¹ / ₄	4403	3390	2466	41	0.95
	T622-3-10	1000 - 39 ³ / ₈	4814	3707	2696	44	1.03
	T622-3-12	1200 - 47 ¹ / ₄	5802	4468	3249	52	1.24
	T622-3-14	1400 - 55 ¹ / ₈	6742	5191	3776	60	1.44
	T622-3-16	1600 - 63	7489	5767	4194	68	1.65
	T622-3-18	1800 - 70 ⁷ / ₈	8366	6442	4685	76	1.85
	T622-3-20	2000 - 78 ³ / ₄	9632	7417	5394	84	2.06
Height 400mm - 15 ³ / ₄ in	T622-4-06	600 - 23 ⁵ / ₈	3633	2797	2035	37	0.79
	T622-4-08	800 - 31 ¹ / ₂	4576	3524	2562	47	1.06
	T622-4-92	920 - 36 ¹ / ₄	5299	4080	2968	54	1.22
	T622-4-10	1000 - 39 ³ / ₈	6022	4637	3372	58	1.32
	T622-4-12	1200 - 47 ¹ / ₄	7188	5535	4025	69	1.58
	T622-4-14	1400 - 55 ¹ / ₈	8344	6425	4673	80	1.85
T622-4-16	1600 - 63	9055	6972	5071	91	2.11	
Height 500mm - 19 ¹¹ / ₁₆ in	T622-5-04	400 - 15 ³ / ₄	2811	2165	1574	29	0.65
	T622-5-06	600 - 23 ⁵ / ₈	4217	3247	2362	42	0.97
	T622-5-08	800 - 31 ¹ / ₂	5755	4431	3223	54	1.29
	T622-5-92	920 - 36 ¹ / ₄	6466	4979	3621	62	1.49
	T622-5-10	1000 - 39 ³ / ₈	7199	5543	4031	67	1.61
	T622-5-12	1200 - 47 ¹ / ₄	8434	6494	4723	79	1.94
	T622-5-14	1400 - 55 ¹ / ₈	9877	7605	5531	92	2.26
	T622-5-16	1600 - 63	11246	8660	6298	104	2.58
	T622-5-18	1800 - 70 ⁷ / ₈	12652	9742	7085	117	2.90
	T622-5-20	2000 - 78 ³ / ₄	14057	10824	7872	129	3.22
Height 600mm - 23 ⁵ / ₈ in	T622-6-04	400 - 15 ³ / ₄	3207	2469	1796	33	0.75
	T622-6-06	600 - 23 ⁵ / ₈	4811	3705	2694	47	1.13
	T622-6-92	920 - 36 ¹ / ₄	7377	5680	4131	69	1.73
	T622-6-12	1200 - 47 ¹ / ₄	9622	7409	5388	89	2.25
	T622-6-16	1600 - 63	12829	9878	7184	117	3.00
	T622-6-18	1800 - 70 ⁷ / ₈	14443	11121	8088	131	3.38
	T622-6-20	2000 - 78 ³ / ₄	16036	12348	8980	145	3.76

* Outputs are based on EAT of 68°F. For outputs based on other AWT and/or other EAT please consult our radiator correction chart.