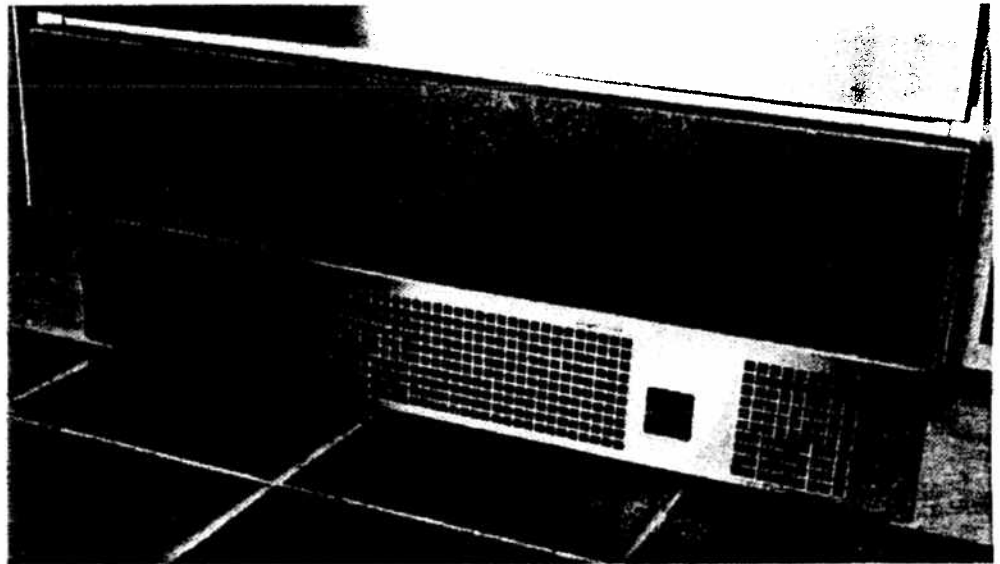


Using and looking after your

MYSON **KICKSPACE®**



Whispa-E Plinth Heater **Model EWH-50**



Please read and retain these instructions

INSTALLATION RECOMMENDATIONS

It is recommended that careful thought be given to siting the appliance within the room. An effort should be made to avoid positioning the heater where long periods of work would occur, taking care to deliver heat that is comfortable for the environment and will not overheat someone working in the area.

The heater must not be located immediately below a fixed socket outlet.

INSTALLATION REQUIREMENTS

The appliance is designed to fit in the toe kick space area below the base of a floor type kitchen cabinet. Figure 1 below shows the MINIMUM size cabinet unit into which the appliance may be fitted.

The appliance may be installed into a cupboard with dimensions larger than those given above.

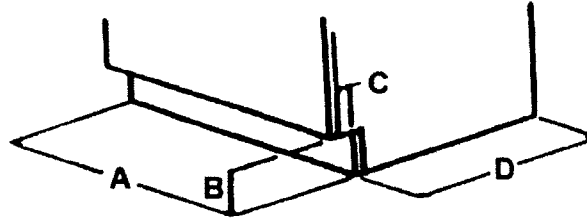


Figure 1

A - Width	20 inch
B - Plinth Height (minimum)	4 inch (min)
C - Base Shelf Overhang	1 inch
D - Depth	16 inch

INSTALLATION PROCEDURE

1. Cut a hole in the kick space board, to the dimensions given in Figure 2.
2. Please make sure power is turned off. The power supply cable must be routed in accordance with the National and Local Codes into the area of the cabinet that the unit will rest in. The cable should be left sufficiently long so as to extend through the front of the kick space. This will provide enough working space for wiring and this will enable the appliance to be withdrawn for maintenance. Again, ensure there are no sharp edges that could fray or damage the wire and that all National and Local codes are complied with.
3. Having cut the mounting hole and supplied the power cable, connect the supply cable as per the instructions (see wiring instructions).
4. The appliance can now be slid through the kick space board. Mount the grille to the front of the kick space board with the screws provided.
5. Turn on the power supply and make sure the appliance is working correctly.

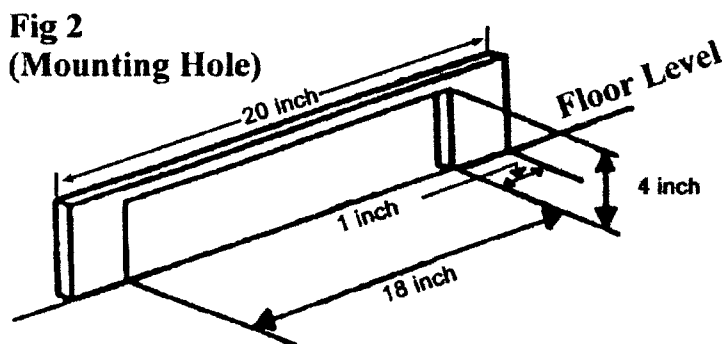
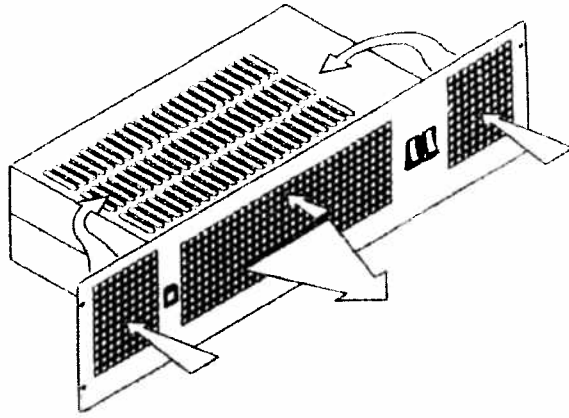


Fig 2
(Mounting Hole)

AIRFLOW

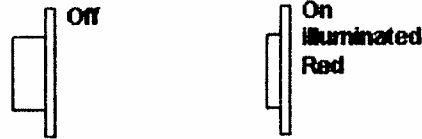


The appliance is fitted with an electronic Safety Control (ES). This is a safety device which switches off the heater if, for any reason, the appliance overheats. The ES Controls can only be reset after the appliance has cooled down. In order to reset the ES Control proceed as follows:

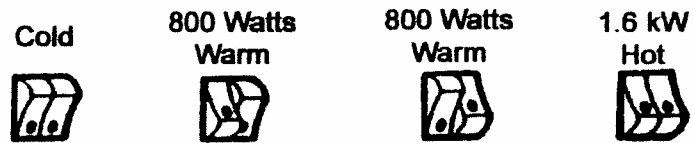
1. Switch off appliance and leave for approximately 5 minutes.
2. Switch on appliance and ES Control will reset.
3. Ensure that the appliance is functioning correctly. If the ES Control operates again, the appliance should be checked by a competent electrician.

CONTROLS

- Fan:



- Heater:



INSTRUCTIONS FOR WIRING THERMOSTATS (IN-LINE)

For automatic operation, a line voltage (120 VAC) thermostat may be wired to control the Whispa-E. This type of thermostat is available in most hardware stores and electrical supply houses. The thermostat must be rated at 15 amps as a minimum.

Pay particular attention to the location of the thermostat keeping it out of the direct airflow from the Whispa-E. Local codes will dictate the height recommended for thermostat installation. Installing the thermostat either too high or too low will affect the room comfort.

When wired to a wall thermostat, the Whispa-E On/Off switch must be left in the "On" position, allowing the thermostat to activate the unit as needed.

WIRING INSTRUCTIONS

IMPORTANT: The supply leads are colored according to the following code:
Green Ground
White Neutral/Negative
Black Live

It is recommended that the installation be done by a licensed electrician, who can ensure correct installation of the appliance.

Ensure the electricity supply voltage is correct for the appliance, see rating plate (120 volt, 60 cycle).

Be sure to wire in accordance with National and Local Electrical Codes. Remove the cover to the junction/splice box. Wiring is done through the most convenient knockout for your installation.

Following National and Local codes, connect to the junction box.

Connect the supply leads as follows:

The wire which is colored Green must be connected to ground (usually Green or bare Copper).

The White wire must be connected to the White supply lead.

The Black wire must be connected to the Black supply lead.

Replace junction box cover and install as recommended in the installation procedures.

Should any maintenance be required, turn off power supply before unit is removed.

SAFETY

This equipment has been designed and manufactured to the highest international standards, but like all electrical appliances, care must be taken if you are to obtain the best results and safety is to be assured.

- Do NOT use this appliance where conditions of excessive moisture are present.
- Do NOT handle the appliance with wet hands.
- Do NOT use the appliance in an enclosed room so small that the heater will generate ambient temperatures in excess of 86°F.
- Do NOT use the appliance with young children unattended.
- Do NOT use the appliance in workshops or rooms where excessive dust is generated or present.
- Do NOT touch outlet grille when appliance is in use.
- Do NOT cover or restrict any grille openings of the appliance when in use.
- Do NOT use the appliance if damaged.
- If the area in which the appliance is positioned has been kept in a below freezing condition, run the fan for 5 minutes before using the heat settings.

CLEANING

- Always disconnect the heater from the mains before cleaning.
- An occasional wipe over with a soft cloth is all that should be necessary.
- Do NOT use metal or furniture polish on any part of the heater.

Administration and Marketing
Myson Inc
948 Hercules Drive
Suite S
Colchester
VT 05446
USA

Tel: (802) 654 7500

Fax: (802) 654 7022